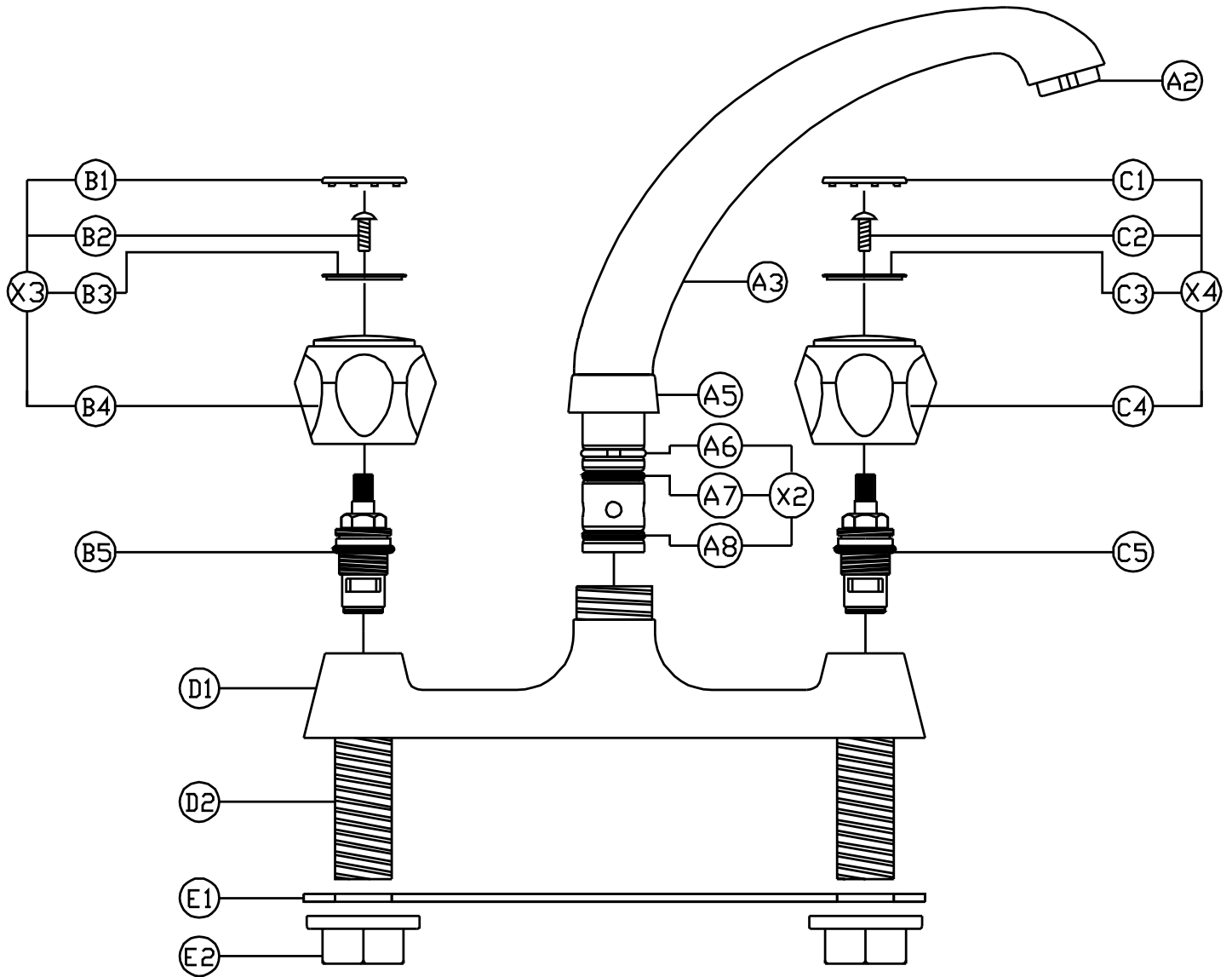


ACT2044 – Deck Mixer Compression

abode



General Advice:

- These instructions are intended as a guide only, if you are in any doubt you should seek the advice of a qualified professional.
- Take care not to mark finished parts with screwdrivers or other tools.
- Use a pair of rubber gloves to get a better grip on decorative hand tight parts.
- Ensure all parts are reassembled tightly.
- After maintenance test that all assemblies are water tight and function correctly.
- Always isolate the hot and cold water supplies before starting any maintenance, once isolated you should drain any residual water from your system.

To replace the hot valve:

1. Lever out the dust cap (B1) using a small precision screwdriver or fingernail.
2. Unscrew the crosshead screw (B2)
3. Pull the handle (B3 & B4) away from the tap body.
4. Holding the tap body (D1) unscrew the valve (B5) using a 17mm ring spanner or adjustable wrench.
5. Clean any debris from the chamber in the tap body (D1).
6. Reassemble the tap in the reverse order.

To replace the spout o-rings:

1. Whilst holding body (D1) unscrew the spout locking collar (A4)
2. Pull the spout (A3) vertically away from the body (D1).
3. Remove the old o-rings (A7 & A8 using a small screwdriver or similar.
4. If worn, remove the white PTFE spacer (A6)
5. Ensure the inside of the body (D1) and the spout base (A3) is clean of dirt and grit with a soft wet cloth.
6. If required locate the new white PTFE spacer (A6).
7. Carefully locate the new O-rings (A7 & A8) onto the spout base (A3).
8. Grease the O-rings (A7 & A8) thoroughly with silicone or alternative similar grease.
9. Reassemble the tap in the reverse order.